

LION
technology

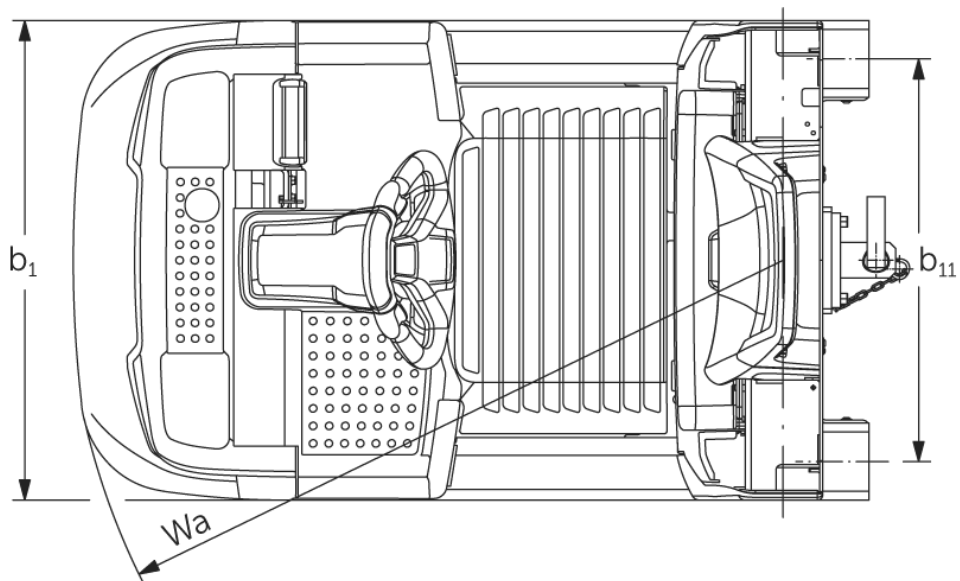
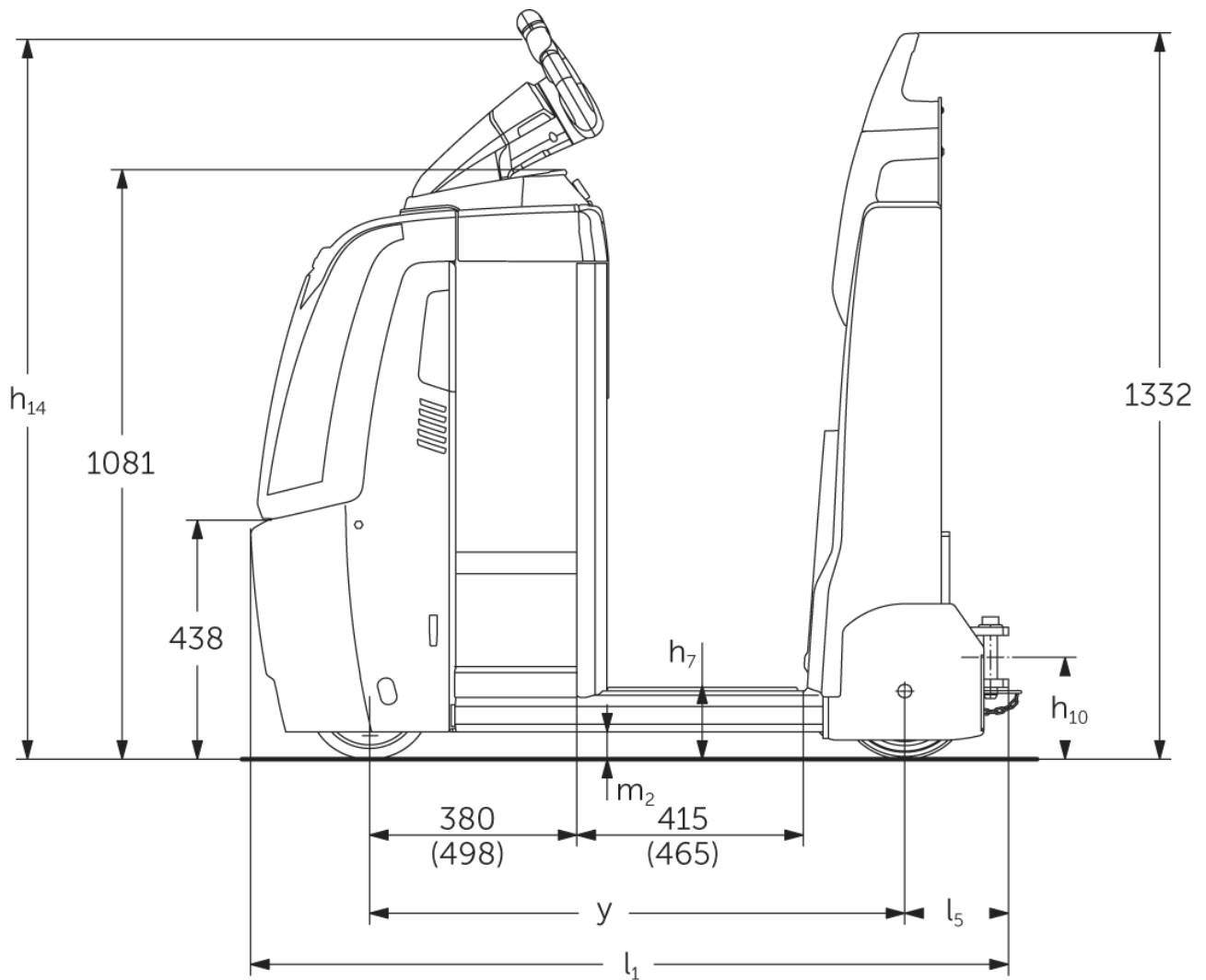


Electric tow tractor **EZS 350**

Towing capacity: 5000 kg

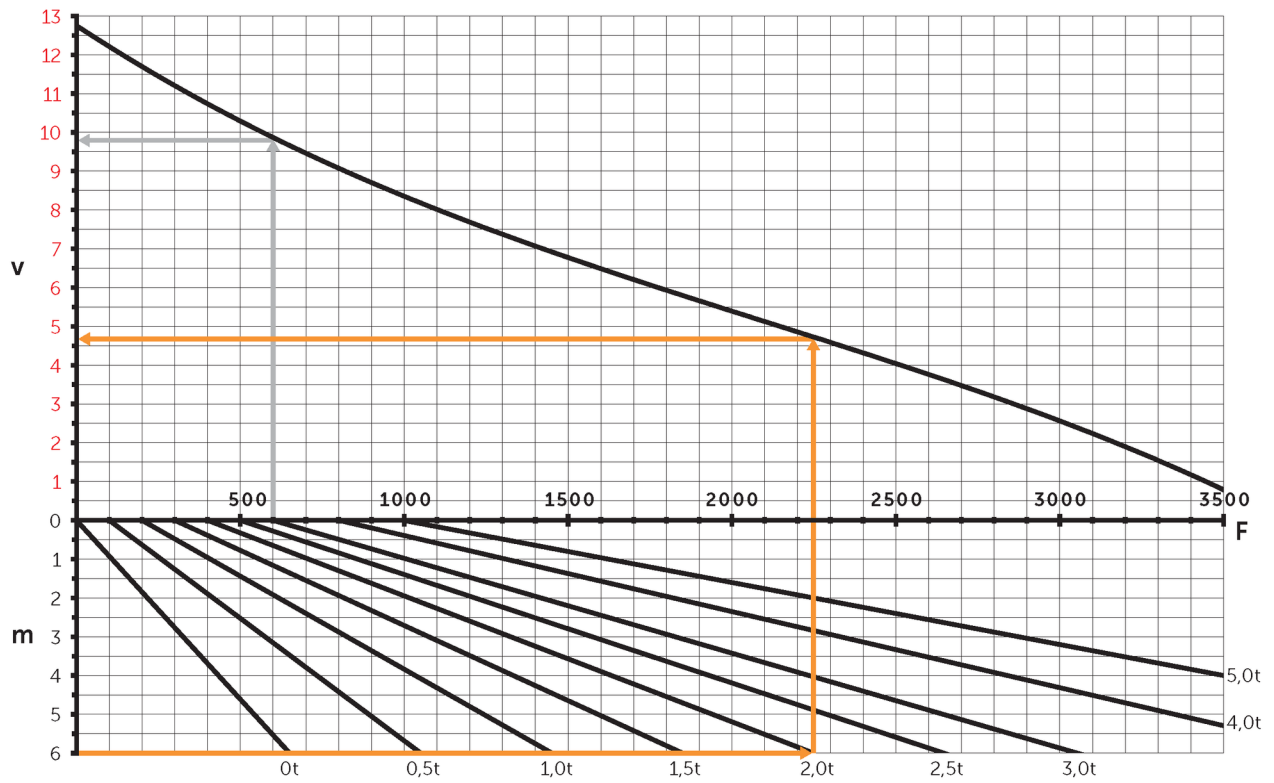
JUNGHEINRICH

EZS 350



EZS 350

Pulling ability



v=speed [km/h], m=incline [%], F=drawbar pull [N]

VDI table

Stand-on: 08/2022

Characteristic	1.1	Manufacturer (abbreviated description)	Jungheinrich				
			EZS 350 L Std	EZS 350 L Comfort	EZS 350 XL Std	EZS 350 XL Comfort	
Characteristic	1.2	Manufacturer's type designation					
	1.3	Drive	Electric				
	1.4	Operation	Stand-on				
	1.5.3	Towing capacity	Q kg	5000			
	1.7	Rated drawbar pull	N	1000			
	1.9	Wheelbase	y mm	980	1030	1098	1148
Weights	2.1.1	Service weight (incl. battery)	kg	996	1006	1091	1101
	2.3	Axle load unladen front/rear	kg	505 / 491	510 / 496	565 / 526	570 / 531
Wheels/suspension system	3.1	Tyres	Polyurethane / Super-elastic				
	3.2	Tyre size, front	ø230 x 77				
	3.3	Tyre size, rear	ø250 x 80				
	3.5	Wheels, number front/back (x=driven)	1x/2				
	3.7	Tread width, rear	b ₁₁ mm	680			
Basic dimensions	4.8	Seat height/stand height	h ₇ mm	135			
	4.12	Coupling height	h ₁₀ mm	158			
	4.19	Overall length	l ₁ mm	1390	1440	1508	1558
	4.21.1	Overall width	b ₁ mm	810			
	4.32	Ground clearance centre of wheelbase	m ₂ mm	50			
	4.35	Turning radius	W _a mm	1210	1260	1328	1378
Performance data	5.1	Travel speed laden/unladen	km/h	8 / 12.5			
	5.1.1	Reverse travel speed with/without load	km/h	6 / 6			
	5.5	Drawbar pull laden	N	1000			
	5.6	Max. drawbar pull laden/unladen	N	3700 / 3700			
	5.10	Service brake		electromagnetic/generative			
E-motor/ Electronics	6.1	Drive motor, performance S2 60 min	kW	2.8			
	6.4	Battery voltage/nominal capacity	V / Ah	24 / 465		24 / 620	
	6.5	Battery weight	kg	370		470	
	6.6.1	Energy consumption according to EN cycle	kWh/h	1.15			
	6.6.2	CO2 equivalent as per EN 16796	kg/h	0.6			
	Other	8.1	Type of drive control		AC speedCONTROL		
10.7		Sound level as per EN12053, operator's ear	dB (A)	66			

- This data sheet according to VDI guideline 2198 only states the technical values of the standard truck. Different tyres, other masts, additional equipment etc. may result in different values.

- VDI no. 4.9: the height applies to the version with jetPILOT
- VDI no. 4.12: the value for the coupling height applies to a single plug-in coupling. Other coupling heights are available
- VDI no. 4.19: as different coupling systems are available, the specification applies to the overall length including a single plug-in coupling
- VDI no. 5.1: see tow load diagram
- VDI no. 5.5: this value is the rated drawbar pull
- VDI no. 5.6: see tow load diagram

The German production facilities in
Norderstedt, Moosburg and Landsberg
are certified.

ISO 9001
ISO 14001

Jungheinrich fork lift trucks meet
European safety requirements.



 **JUNGHEINRICH**

The Jungheinrich logo, featuring a red upward-pointing arrow above the word 'JUNGHEINRICH' in a bold, black, sans-serif font.